

Hands on MIS for HBP surgery liver resection and distal pancreatectomy on the pig model

Nam-Joon Yi¹, Yoo-Seok Yoon²

Seoul National University^{1,2}, Korea

One master table

10 Teams: Each team composes of 1 tutor + 3 trainees

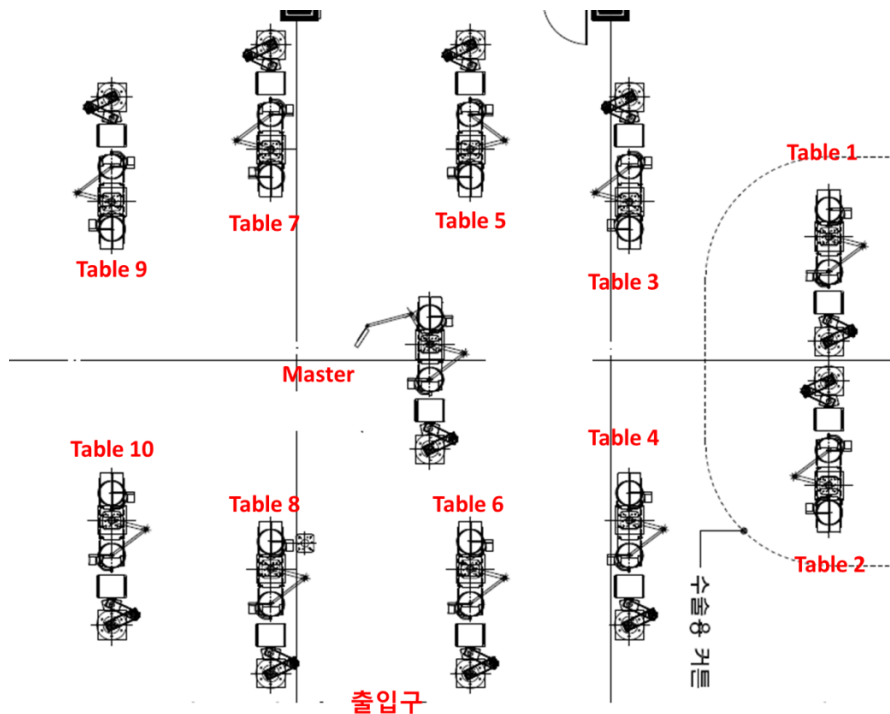
General Information

14:40-15:00

Change your clothes on the 2nd floor (changing room)

Find your table number and the name of the tutor

Attend the operating theater at 15:00pm



15:00-18:00

Running time, total 180 min

Gowning, Port insertion (15) ⇒ liver surgery, partial resection (30) ⇒ pancreas surgery (80) ⇒ liver surgery, Glissonian approach (20), Hilar dissection (20) ⇒ specimen removal (bag apply), drain apply (5)

18:00-18:10

Turn back to the 1st floor (the main theater)

Operation Detail

- 15:00-15:15 (15) Preparation & Port insertion
- 15:15-15:45 (30) Liver partial resection
Left medial section \Rightarrow Right medial section \Rightarrow Right lateral section
1. Apply liver traction suture (5)
 2. Parenchymal division using ultrasonic device (5)
 3. Pringle maneuver, optional
- 15:45-17:05 (80) Pancreatectomy
1. Divide the head (25)
 - A. Upward Retraction of Stomach
 - B. Dissection of SMV-SV-PV confluence between pancreatic neck
 - C. Nylon-tape application and holding
 - D. Endo-GIA application and division of the pancreatic neck portion
 2. Divide the body (25)
 - A. Dissection of upper part of left sided pancreas
 - B. Dissection of SMV-SV from retroportal pancreas
 - C. Uncinate process (annular portion of the pancreas) division with energy device
 - D. Endo-GIA application and division of the pancreatic body portion
 3. Distal pancreatectomy (25)
 - A. Dissection of small tributary vessels and ligation
 - B. Take the pancreas off from main splenic vessels
 - C. Specimen retrieval
- 17:05-17:15 (10) Break
- 17:15-17:55 (40) Liver resection
1. Glissonian approach (20)
 - A. Exposure the Left lateral section
 - B. Dissect the glisson bundle
 - C. Apply a GIA stapler
 - D. Divide the parenchyma according to the ischemic line
 2. Hilar dissection (20)
 - A. Dissect the Proper hepatic artery
 - B. Divide the CBD
 - C. Dissect the Portal vein
- 17:55-18:00 (5) Drain apply & Specimen removal using bag